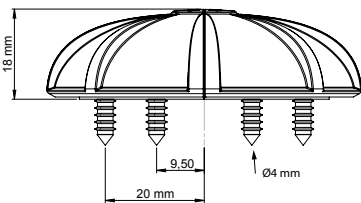


# TABLE SPANNER "TURTLE"

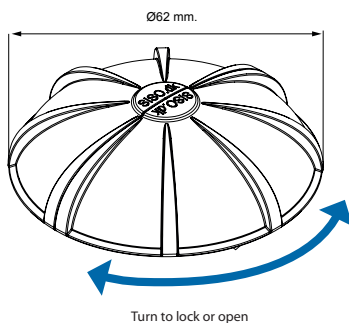
**DESIGN REGISTERED IN EU**



## TABLE SPANNER "TURTLE"



Notice:  
The tension offered by the two wings when travelling secures table top levelling



Ideal for connecting wooden tops or panels by simply turning the lids clockwise.

Material: PA6 – GF

Size: Ø62 x 18 mm.

Screw holes: Ø4mm, counter sunk

Item No. Male + Female: # 24.03.075

Drilling Jig Steel, BZP # 24.03.078



Drilling Jig

### SISO A/S

Mileparken 11 Phone: (+45) 45 830 900  
 DK - 2740 Skovlunde (Copenhagen) Fax: (+45) 45 830 444  
 Denmark E-mail: siso@siso.dk Web: www.siso.dk