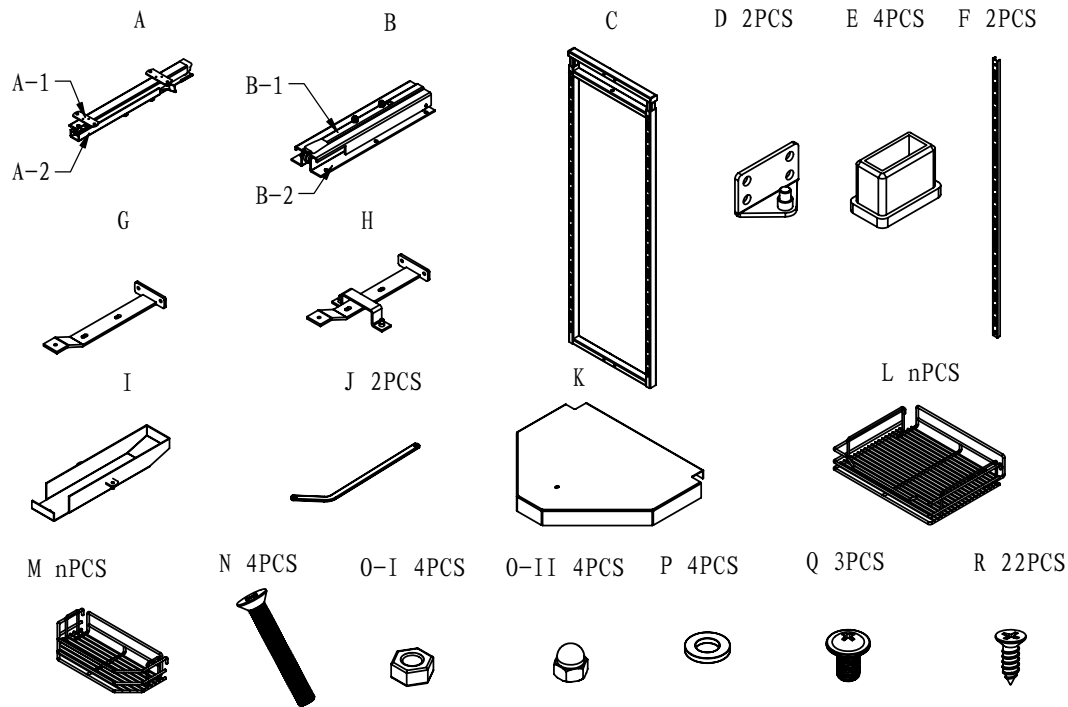


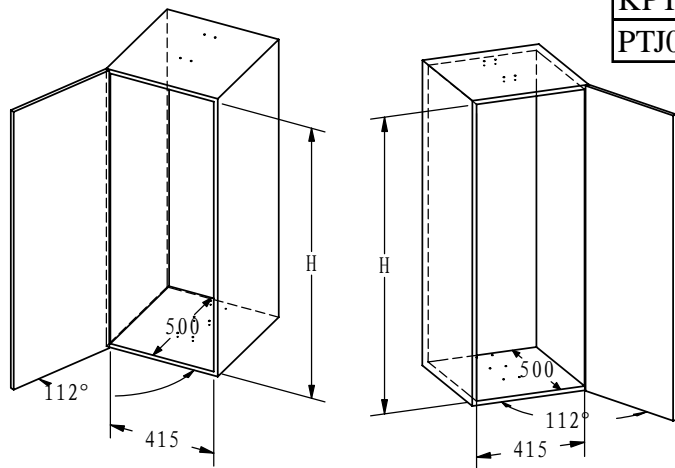
# Fixing manual for PTJ022E、F、 G&KPTJ022F Series

## 1、List of parts:



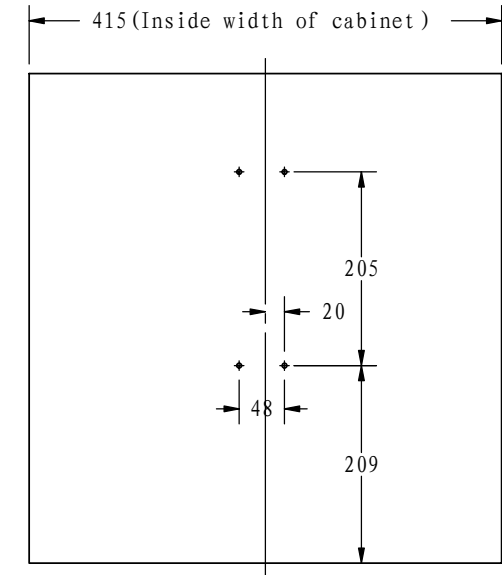
2、According to the product's specification:  
D500\*W564\*H (Inside width of cabinet):

Item No.	H	n
PTJ022E	1250~1500	5
PTJ022F	1650~1950	6
KPTJ022F	1850~2150	6
PTJ022G	1150~1450	4

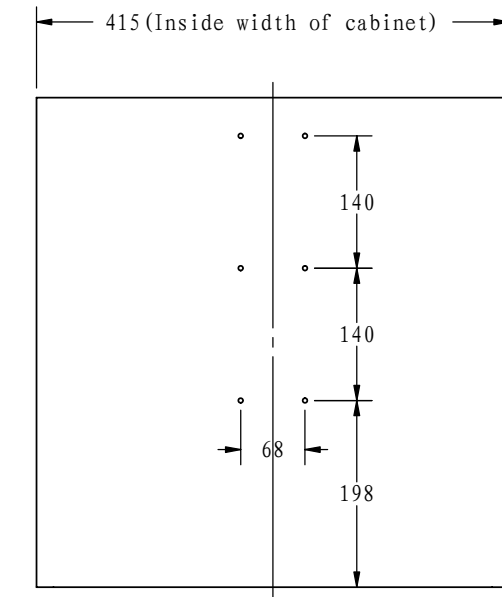


## 3、Fixing steps: (The PTJ022E for example)

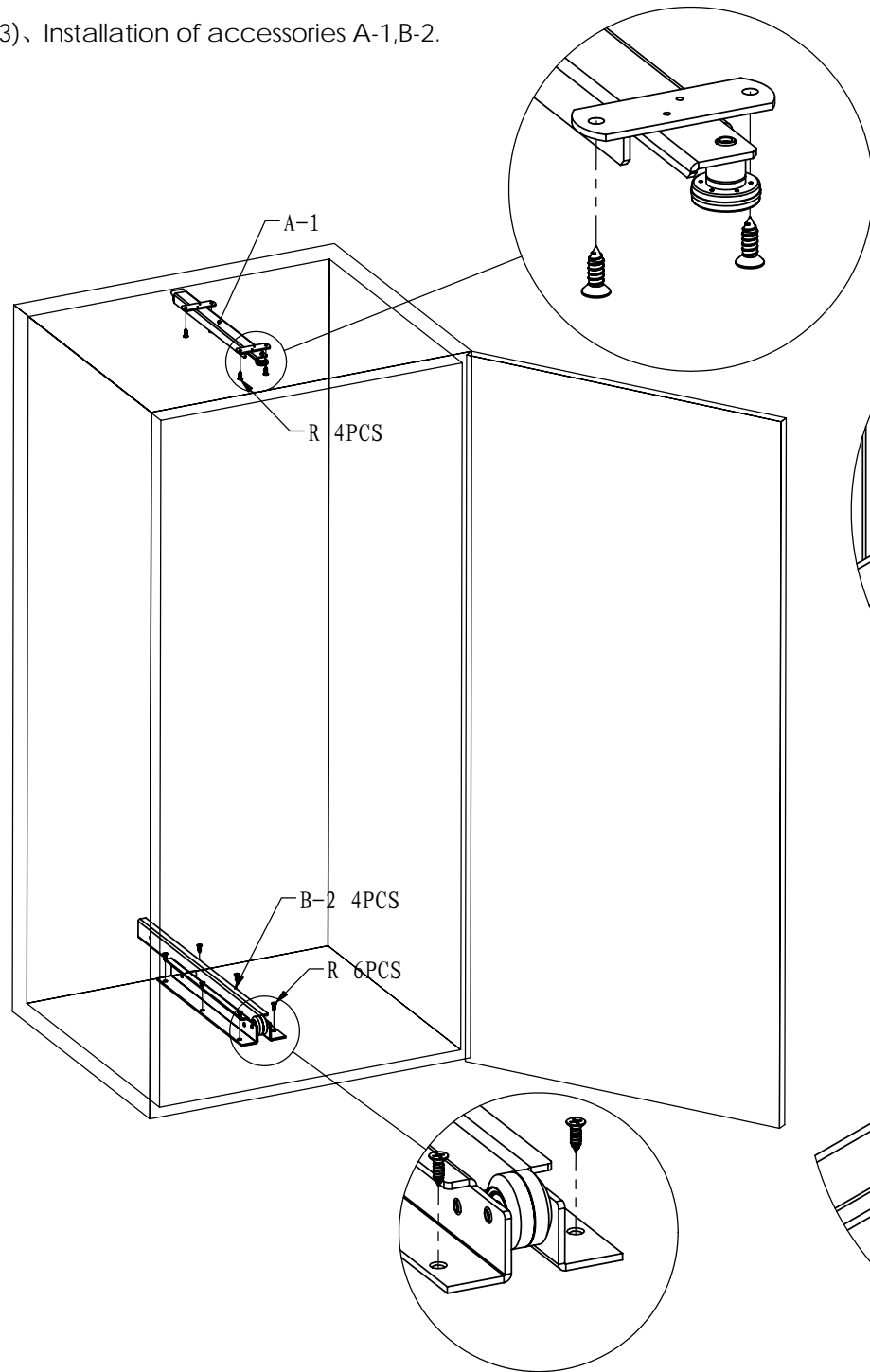
(1)、installation for upper board of cabinet:



(2)、Installation for bottom board of cabinet:

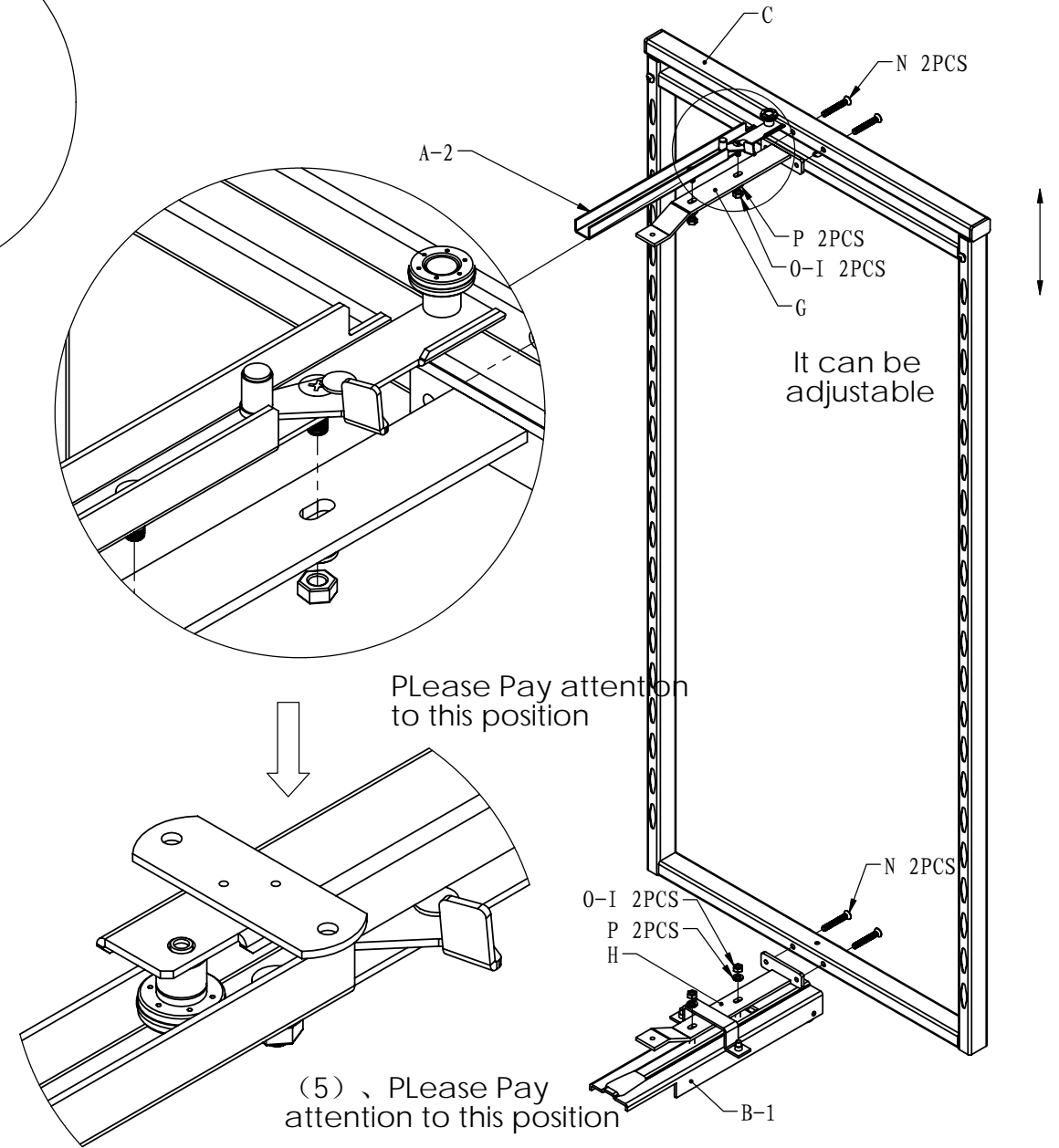


(3)、Installation of accessories A-1,B-2.



(4)、Installation of accessories C, G, H, A-2, B-1.

3-2



(5)、Installation of accessories D、E、F、I、J、K.

(6)、Installation of accessories L、M.

