

PRODUCT SHEET



Description

Multifunctional Leg Bracket "Curly", Black PC/ABS, $\phi 115 \times 85 \text{ mm}$,

Max Leg Size: $\phi 60 \text{ mm}$, F/M10 Bolt

SISO A/S

Mileparken 11

DK-2740 Skovlunde

Denmark

Phone: (+45) 45 830 900

Fax: (+45) 45 830 444

E-mail: siso@siso.dk

Web: www.siso.dk

Item number

06.11.050-0

Units	Box	Carton	HS Code	Barcode
-------	-----	--------	---------	---------

Pcs.

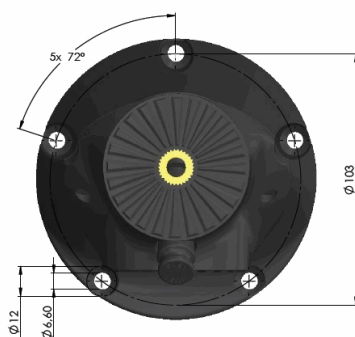
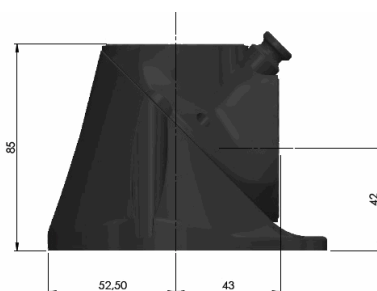
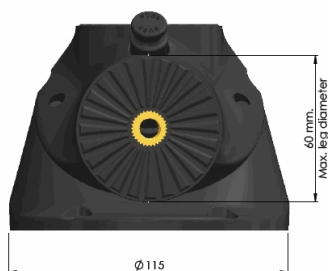
1

60

3903300000



5 704866 484602



M10 x 1.5 mm. thread
(Max. inserted thread length 20 mm.)

Activation push button

