

ADJUSTABLE SOFT-DOWN STAY



NSDX-35

LID SUPPORTS

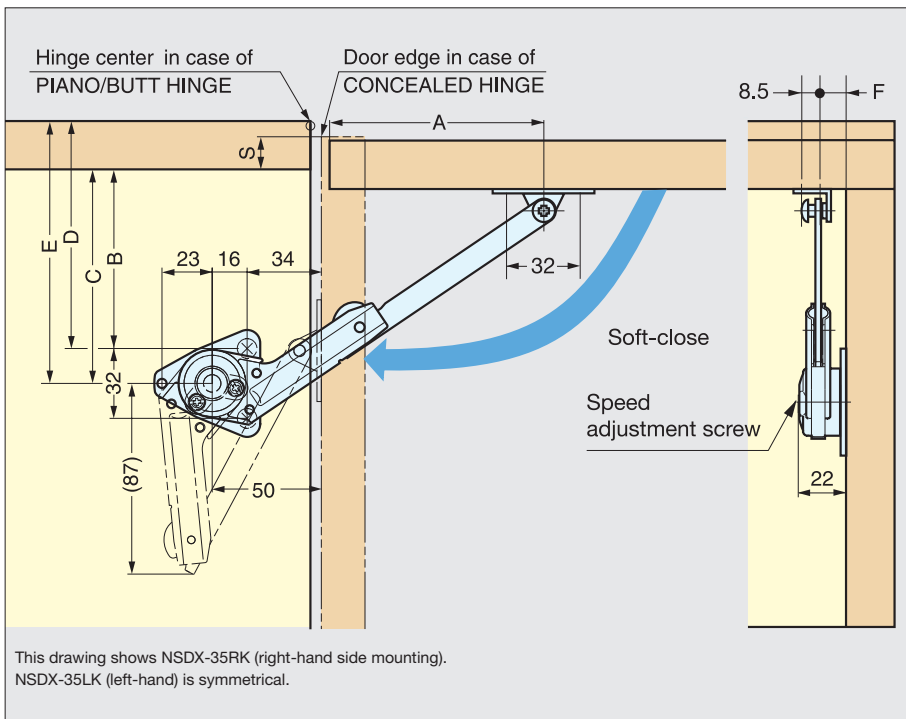
ADJUSTABLE SOFT-DOWN STAY



- For UPWARD-OPENING FLAP DOOR with piano, butt or concealed hinges.
- Opening angle 80°, 90° or 100°.
- NSDX-35 is designed to hold door in fully opened position.
- Speed adjustment screw located on front for easy adjustment.
- Two stop version (holds door at 65° and 90°) is also available.
- Torque Calculation :
 Torque = Door Height x 1/2 x Door Weight
 Per Piece : 20~70 kg·cm (19~60 lbs·inch)
 Per Pair : 40~140 kg·cm (38~120 lbs·inch)



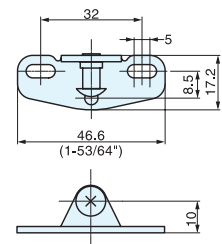
PAT



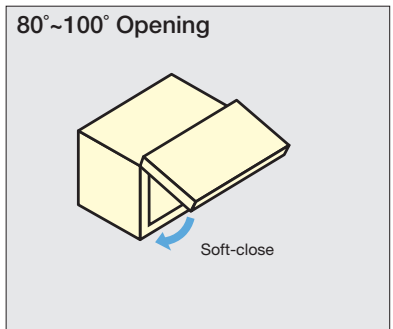
NSDX-SZ

<Standard>

Mounting Plate for wooden door, Screw type



Arm Mounting Plate



Note: "S" dimension is the overlay coverage for concealed hinge(s).

Material		Finish		
Zinc Alloy		Nickel		
Steel		Nickel		
Item No.	Weight (g)	Box (pcs)	Carton (pcs)	
NSDX-35RK	Right	181	20	80
NSDX-35LK	Left			

Opening Angle	Hinge Type	A	B	C	D	E	F
80°	Concealed Hinge	106	105-S	121-S	-	-	12
	Piano/Butt Hinge	100	-	-	99	115	
90°	Concealed Hinge	98	97-S	113-S	-	-	
	Piano/Butt Hinge	91.5	-	-	90.5	106.5	
100°	Concealed Hinge	92.5	91.5-S	107.5-S	-	-	
	Piano/Butt Hinge	88	-	-	84	100	